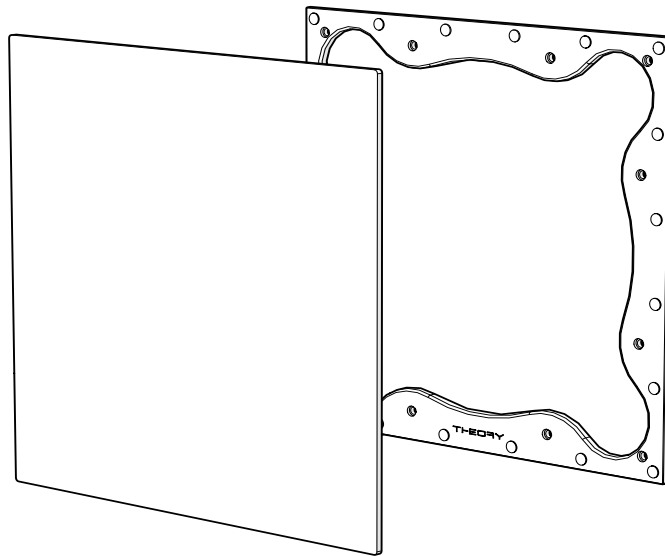


iws12-GRILLE

Subwoofer Grille Kit



QUICK START GUIDE

Rev B 230726

THEORY
THEORY AUDIO DESIGN

LIMITED WARRANTY

Disclaimer : THEORY AUDIO DESIGN, LLC is not liable for any damage to loudspeakers or any other equipment that is caused by negligence or improper use or installation of this product, including damage caused by connecting Theory loudspeakers and subwoofers to third party amplifiers.

THEORY AUDIO DESIGN, LLC 5-Year Limited Loudspeaker and Subwoofer Warranty

THEORY AUDIO DESIGN, LLC guarantees its loudspeaker and subwoofers products to be free from defective materials and/or workmanship for a period of five (5) years from the date of sale, and will replace defective parts and/or repair malfunctioning products under this warranty when the defect occurs under normal installation and use - provided that the unit is returned to our factory or one of our authorized service centers via prepaid transportation with a copy of proof of purchase (sales receipt). This warranty provides that the examination of the return must indicate, in our judgment, a manufacturing defect. This warranty does not extend to any product which has been subject to misuse, neglect, accident, improper installation or where the date code has been removed or defaced. THEORY shall not be liable for incidental and/or consequential damages. The warranty gives you specific legal rights. This limited warranty is not transferable. Customer may have rights which vary from state to state.

In the event that this product was manufactured for export and sale outside of the United States or its territories, then this limited warranty does not apply. Removal of the serial number on this product, or purchase of this product from an unauthorized dealer will void this limited warranty.

EXCLUSIONS

To the extent permitted by law, the warranty set forth above is in lieu of, and exclusive of, all other warranties, express or implied, and is the sole and exclusive warranty provided by Theory Audio Design, LLC. All other express and implied warranties, including the implied warranties of merchantability, implied warranty of fitness for use, and implied warranty of fitness for a particular purpose are specifically excluded.

Theory Audio Design, LLC shall not be liable for consequential, incidental, economic, property, bodily injury, or personal injury damages arising from the product, any breach of this warranty or otherwise.

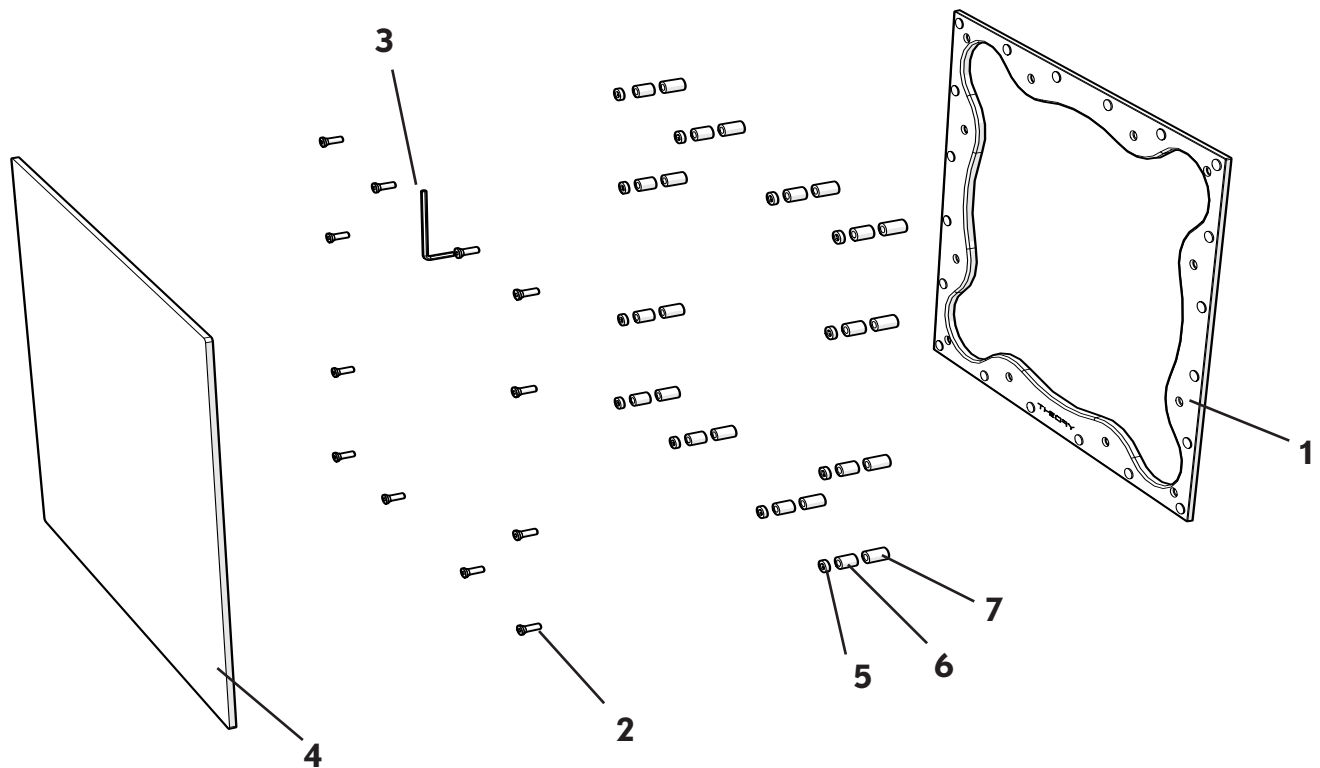
This warranty statement gives you specific legal rights, and you may have other rights which vary from state to state. Some states do not allow the exclusion of implied warranties or limitations of remedies, so the above exclusions and limitations may not apply. If your state does not allow disclaimer of implied warranties, the duration of such implied warranties is limited to period of THEORY'S express warranty

Periodically this warranty is updated. To obtain the most recent version of THEORY'S warranty statement, please call +1-949-245-0505.

IMPORTANT SAFETY INSTRUCTIONS

1. Read all instructions.
2. Keep these instructions.
3. Heed all warnings.
4. Follow all instructions.
5. Clean only with a dry cloth.
6. Install in accordance with manufacturer's instructions.
7. Do not install near any heat sources such as radiators, heat registers, stoves or other apparatus that produce heat.
8. Use only attachments/accessories specified by THEORY AUDIO DESIGN, LLC.
9. Use only with hardware, brackets, stands, and components sold with the apparatus or supplied by THEORY AUDIO DESIGN, LLC.
10. Mount only to solid architectural walls and ceilings.
11. USE SAFETY CABLE WHEN INSTALLING OVERHEAD.
12. Refer all servicing to qualified service personnel. Servicing is required when the apparatus is damaged in any way.
13. **Connect to Theory or Pro Audio Technology Amplified Loudspeaker Controllers ONLY. Do not connect to third-party amplifiers. Doing so will void the product warranty and potentially damage the loudspeaker.**

PARTS LEGEND - iws12-GRILLE SUBWOOFER GRILLE KIT



PARTS LIST - iws12-GRILLE SUBWOOFER GRILLE KIT

1. GRILLE FRAME - QTY. 1
2. M5 HEX SOCKET FLANGE HEAD SCREWS - QTY. 12
3. 3mm HEX WRENCH - QTY. 1
4. PERFORATED STEEL GRILLE - QTY. 1
5. 1/8" SPACER - QTY. 12
6. 1/2" SPACER - QTY. 12
7. 5/8" SPACER - QTY. 12

1 - INSTALLING OPTIONAL PERFORATED METAL GRILLE

1a. INSTALL GRILLE FRAME

Once construction has been completed and the speaker assembly has been connected to the enclosure wire harness and installed into the enclosure, mount the black plastic Grille Frame to the Speaker Assembly baffle using the 12 socket flange-head screws and plastic spacers supplied with the iws12-GRILLE kit.

Refer to **Table 1** for guidance on which spacers to use for your wall configuration.

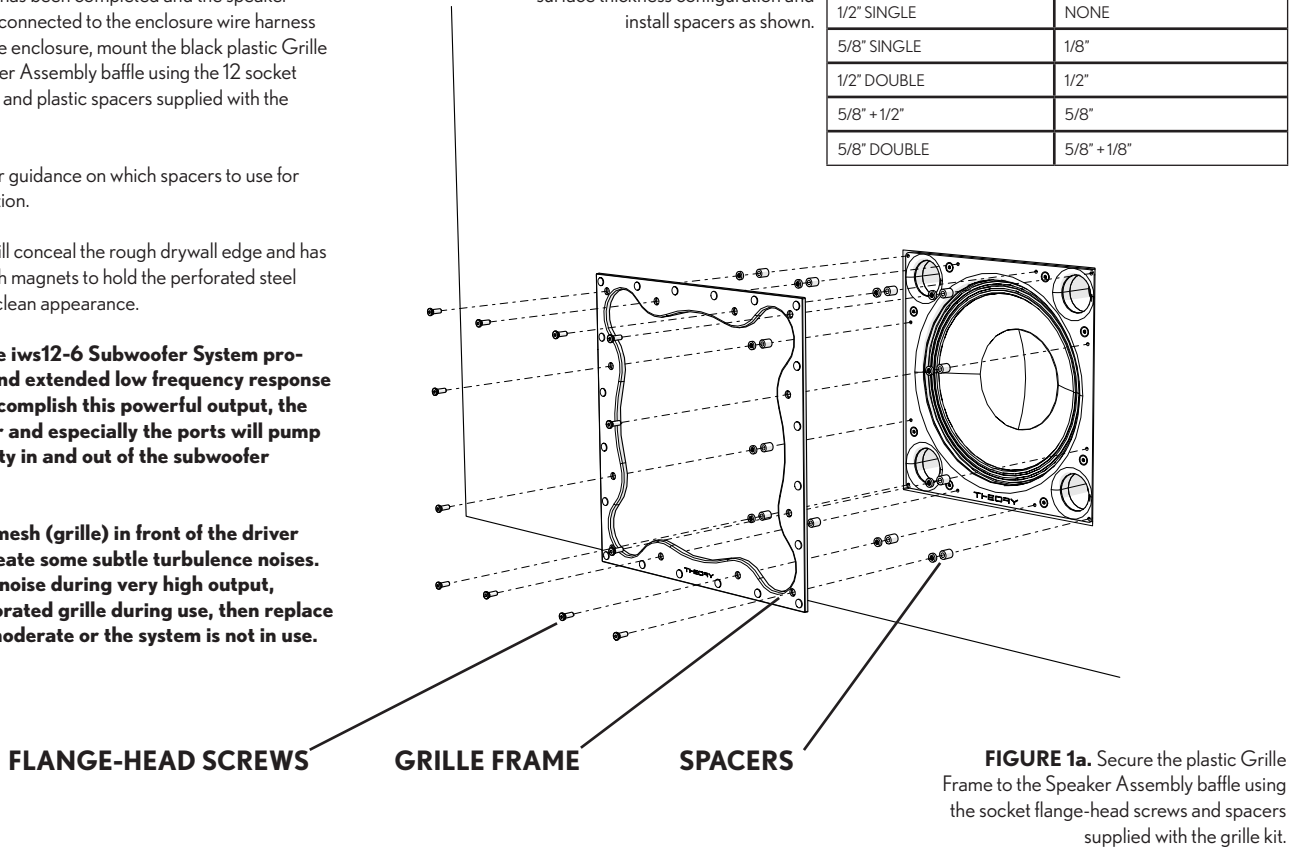
The Grille Frame will conceal the rough drywall edge and has built-in high strength magnets to hold the perforated steel grille in place for a clean appearance.

ATTENTION: The iws12-6 Subwoofer System provides powerful and extended low frequency response (to 24Hz!) To accomplish this powerful output, the subwoofer driver and especially the ports will pump air at high velocity in and out of the subwoofer enclosure.

Placing a metal mesh (grille) in front of the driver and ports can create some subtle turbulence noises. To eliminate this noise during very high output, remove the perforated grille during use, then replace when output is moderate or the system is not in use.

TABLE 1. Identify your drywall or wall surface thickness configuration and install spacers as shown.

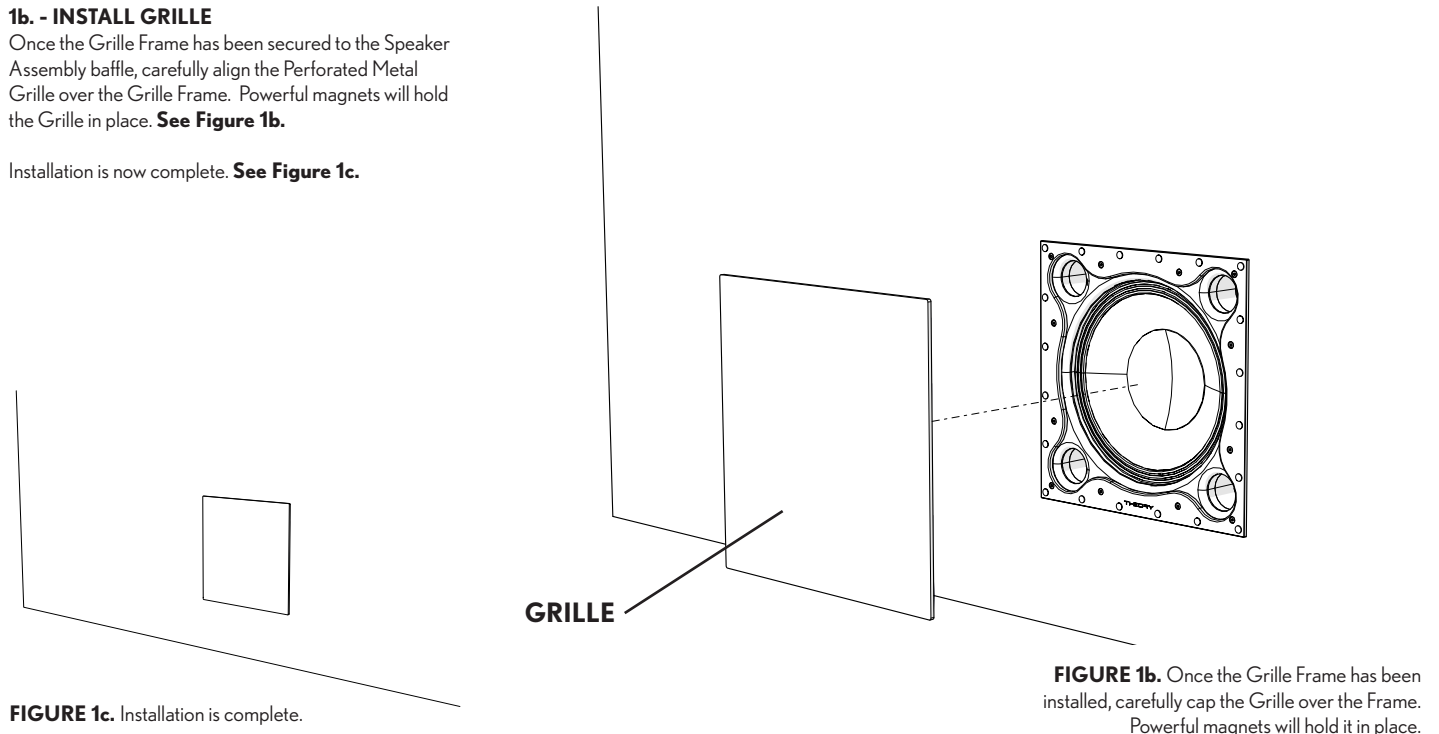
DRYWALL THICKNESS	SPACER(S)
1/2" SINGLE	NONE
5/8" SINGLE	1/8"
1/2" DOUBLE	1/2"
5/8" + 1/2"	5/8"
5/8" DOUBLE	5/8" + 1/8"



1b. - INSTALL GRILLE

Once the Grille Frame has been secured to the Speaker Assembly baffle, carefully align the Perforated Metal Grille over the Grille Frame. Powerful magnets will hold the Grille in place. **See Figure 1b.**

Installation is now complete. **See Figure 1c.**



iws12-6 SUBWOOFER SPECIFICATIONS

OPERATION:	Passive, 8-ohms (up to two may be wired in parallel per amp channel) Requires 1 Theory Loudspeaker Controller Amplifier Channel
DRIVERS:	1 x 12" Theory 4" Voice Coil Long Throw Woofer
MOUNTING POINTS:	Low-Profile Steel Angle Mounting Brackets (10x)
BANDWIDTH:	24Hz - 125Hz, -3dB
SENSITIVITY:	95.5dB/W
POWER HANDLING:	700W (AES); 1400W (Continuous)
POWER REQUIREMENTS	Requires Theory Amplified Loudspeaker Controller
MAXIMUM OUTPUT:	124dB SPL @ 1m (AES); 127dB @ 1m (Continuous)
NOMINAL IMPEDANCE:	8-ohms
COLORS:	Black
DIMENSIONS:	60" H x 14" W x 5.5" D (Enclosure Only) 60" H x 14" W x 5.9" D (Enclosure w Speaker Assembly)
WEIGHT:	43 lbs. Each (Enclosure Only) 65 lbs. Each (Enclosure w Speaker Assembly)
INCLUDED ACCESSORIES:	Drywall Guide
OPTIONAL ACCESSORIES:	Paintable Perforated Metal Grille Kit

© 2023 THEORY AUDIO DESIGN, LLC. All rights reserved.

Theory Audio Design routinely engages in programs to improve, modify and revise its products without notice or obligation. As such, your product may differ slightly from what is shown in this guide.

THEORY AUDIO DESIGN, LLC

25741 Atlantic Ocean Drive, Suite B
Lake Forest, CA 92630

Tel: 949-245-0505

www.theoryaudiodesign.com