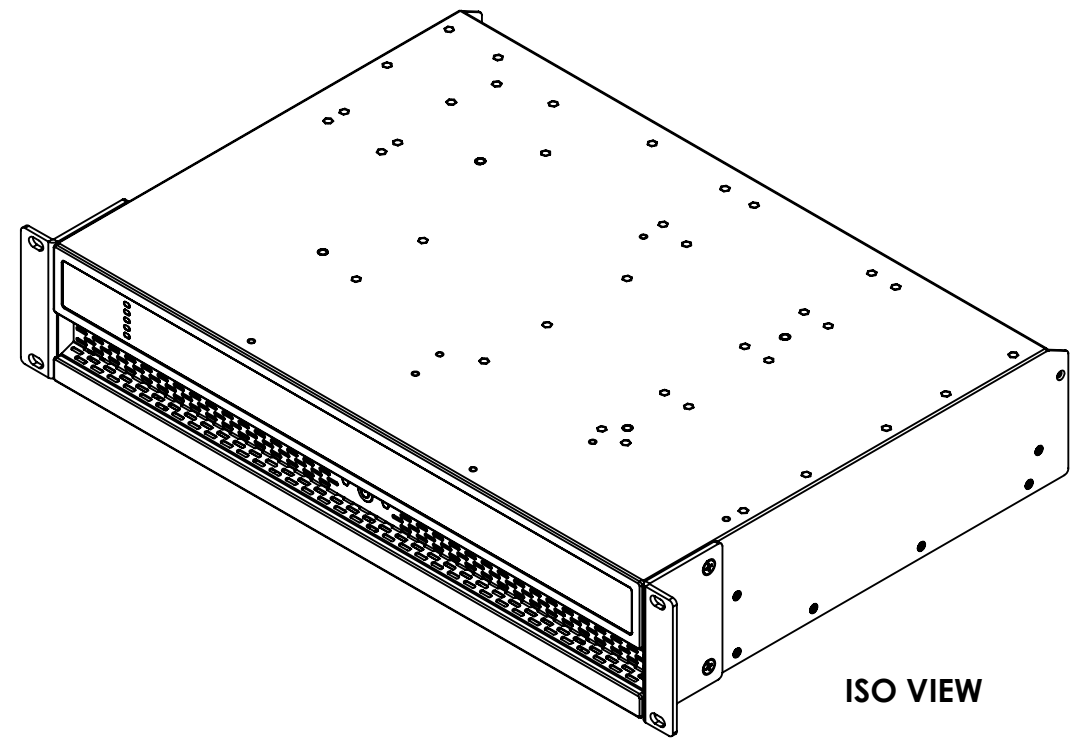
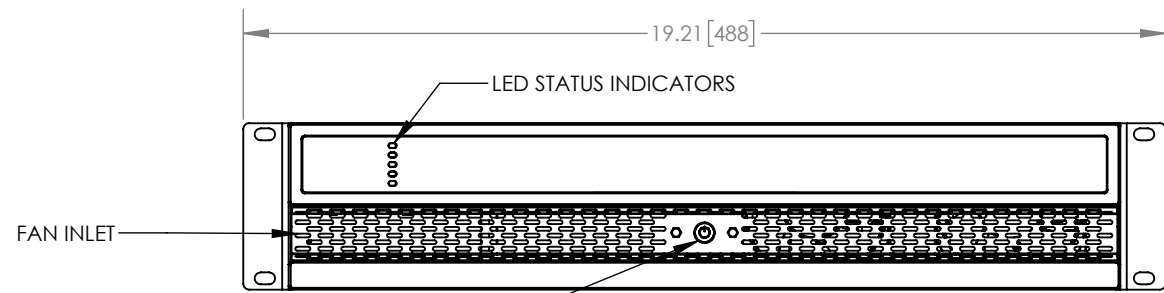


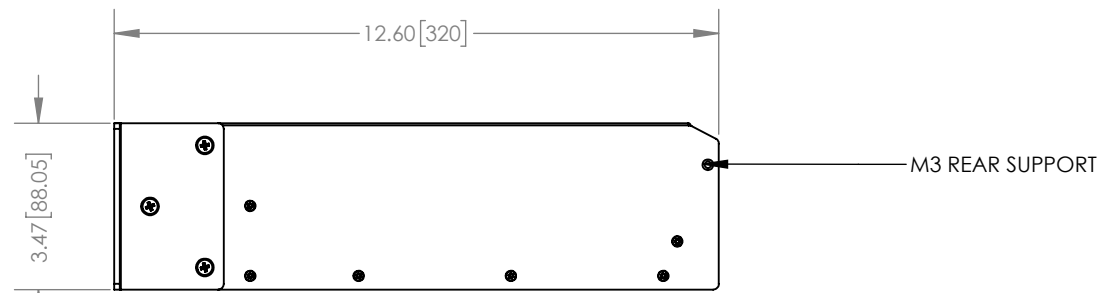
TOP VIEW



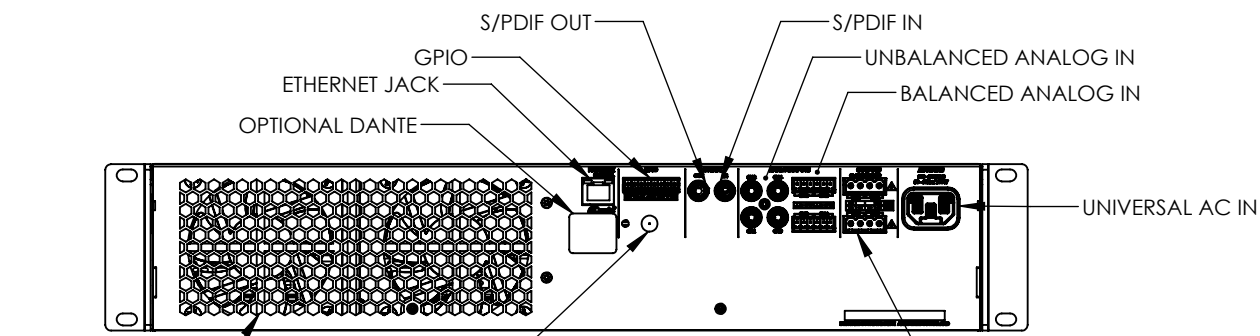
ISO VIEW



FRONT VIEW



SIDE VIEW



REAR VIEW

PROPRIETARY AND CONFIDENTIAL
 THE INFORMATION CONTAINED IN THIS DRAWING IS THE SOLE PROPERTY OF THEORY AUDIO DESIGN, LLC. ANY REPRODUCTION IN PART OR AS A WHOLE WITHOUT THE WRITTEN PERMISSION OF THEORY AUDIO DESIGN, LLC IS PROHIBITED. THE HOLDER OF THIS DOCUMENT SHALL KEEP ALL INFORMATION CONTAINED HEREIN CONFIDENTIAL AND SHALL PROTECT THE SAME IN WHOLE OR IN PART FROM DISCLOSURE AND DISSEMINATION TO ALL THIRD PARTIES.

		UNLESS OTHERWISE SPECIFIED:		NAME	DATE		
		DIMENSIONS ARE IN INCHES TOLERANCES:		DRAWN			TITLE: DLC-1000.4 AND DLC-1500.4 LOUDSPEAKER CONTROLLERS
		0.0-5.0"	±0.010	CHECKED			
		5.01-10.0"	±0.015	ENG APPR.			
		>10.01"	±0.020	MFG APPR.		SIZE PART NO. REV B A	
		INTERPRET GEOMETRIC TOLERANCING PER:		Q.A.			
		MATERIAL		THEORY AUDIO DESIGN, LLC 25741 Atlantic Ocean Dr. Lake Forest, CA 92630		SCALE: 1:4 WEIGHT: SHEET 1 OF 1	
		FINISH		www.theoryaudiodesign.com			
NEXT ASSY	USED ON	DO NOT SCALE DRAWING					
APPLICATION							