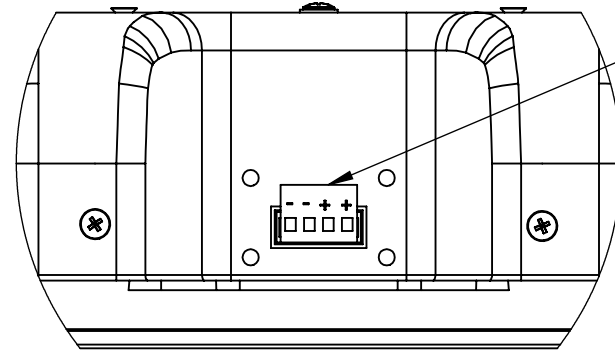
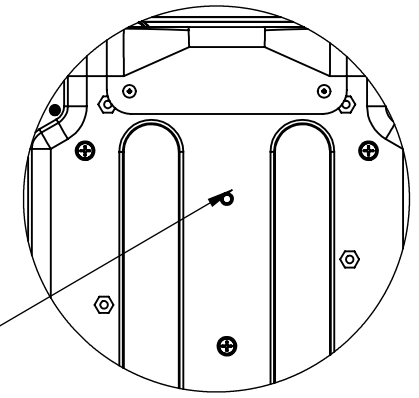


TOP VIEW



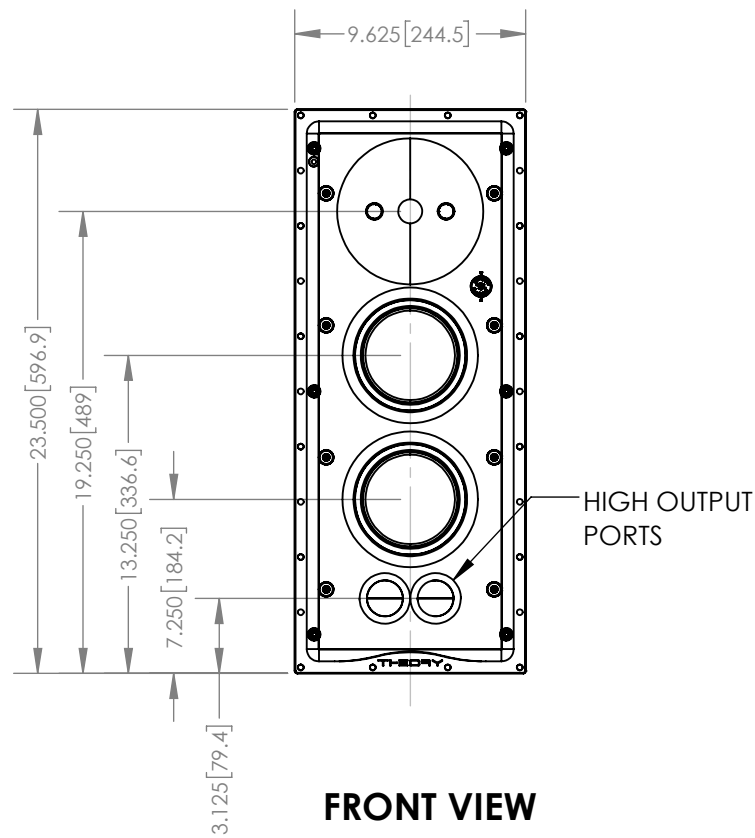
**DETAIL A
SCALE 1 : 2**

REMOVABLE INPUT TERMINAL
BLOCK WITH LOOP THRU
(TERMINAL COVER REMOVED)



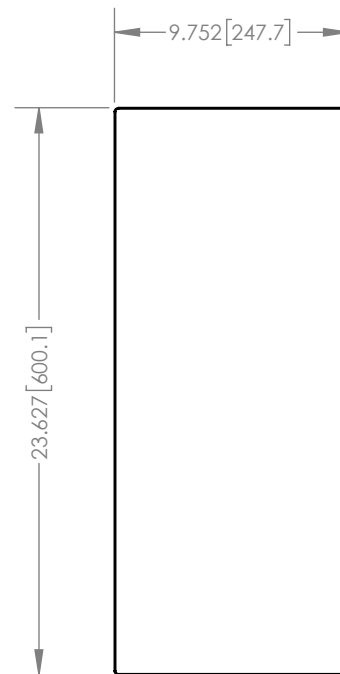
**DETAIL B
SCALE 1 : 4**

SAFETY TETHER
ATTACHMENT POINT

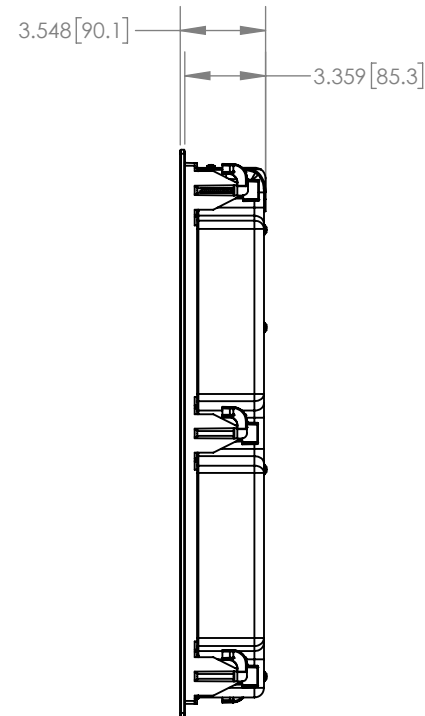


FRONT VIEW

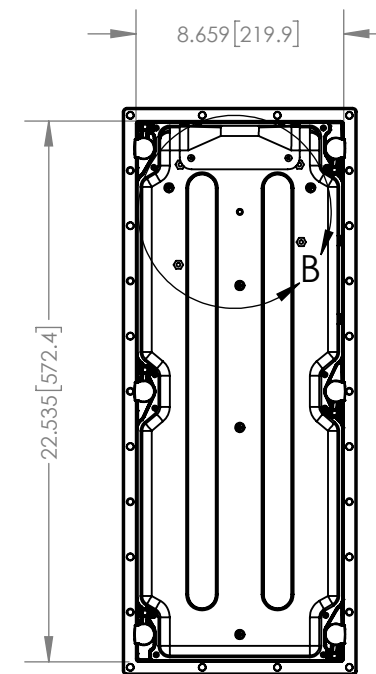
HIGH OUTPUT
PORTS



**FRONT VIEW
WITH GRILLE**



SIDE VIEW



REAR VIEW

CUT OUT: 8-3/4" X 22-5/8"

NOTES:

1. CUTOUT DIMENSIONS : 8.75" W x 22.625" H.
2. USE THEORY OR PRO (PRO AUDIO TECHNOLOGY) AMPLIFIED LOUDSPEAKER CONTROLLERS ONLY. DO NOT CONNECT TO THIRD PARTY AMPLIFIERS.

PROPRIETARY AND CONFIDENTIAL

THE INFORMATION CONTAINED IN THIS DRAWING IS THE SOLE PROPERTY OF THEORY AUDIO DESIGN, LLC. ANY REPRODUCTION IN PART OR AS A WHOLE WITHOUT THE WRITTEN PERMISSION OF THEORY AUDIO DESIGN, LLC IS PROHIBITED. THE HOLDER OF THIS DOCUMENT SHALL KEEP ALL INFORMATION CONTAINED HEREIN CONFIDENTIAL AND SHALL PROTECT THE SAME IN WHOLE OR IN PART FROM DISCLOSURE AND DISSEMINATION TO ALL THIRD PARTIES.

		UNLESS OTHERWISE SPECIFIED:		NAME	DATE		
		DIMENSIONS ARE IN INCHES TOLERANCES:		DRAWN			
		0.0-5.0"	±0.010	CHECKED		SIZE PART NO. REV B TF0040 A	
		5.01-10.0"	±0.015	ENG APPR.			
		>10.01"	±0.020	MFG APPR.		www.theoryaudiodesign.com	
		INTERPRET GEOMETRIC TOLERANCING PER:		Q.A.			
		MATERIAL				THEORY AUDIO DESIGN, LLC 25741 Atlantic Ocean Dr. Lake Forest, CA 92630 www.theoryaudiodesign.com	
		FINISH					
NEXT ASSY	USED ON	DO NOT SCALE DRAWING				THEORY AUDIO DESIGN, LLC 25741 Atlantic Ocean Dr. Lake Forest, CA 92630 www.theoryaudiodesign.com	
APPLICATION		DO NOT SCALE DRAWING					