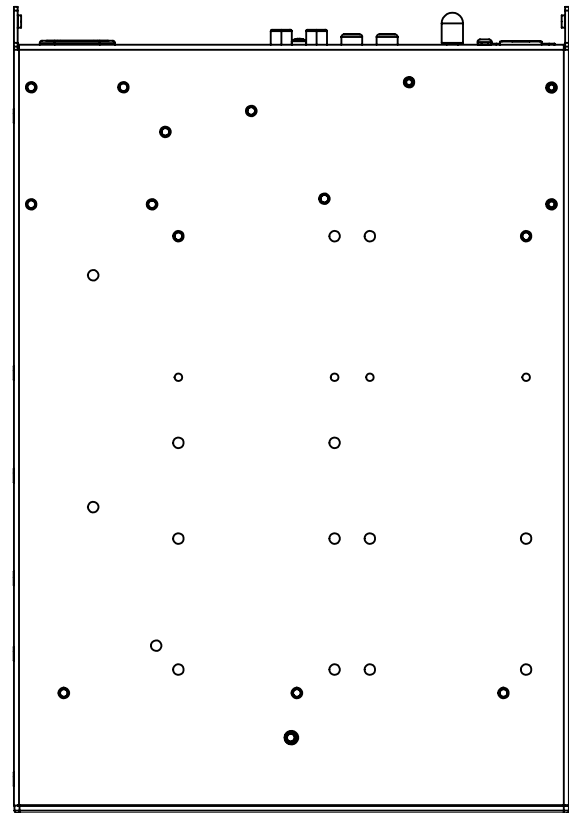


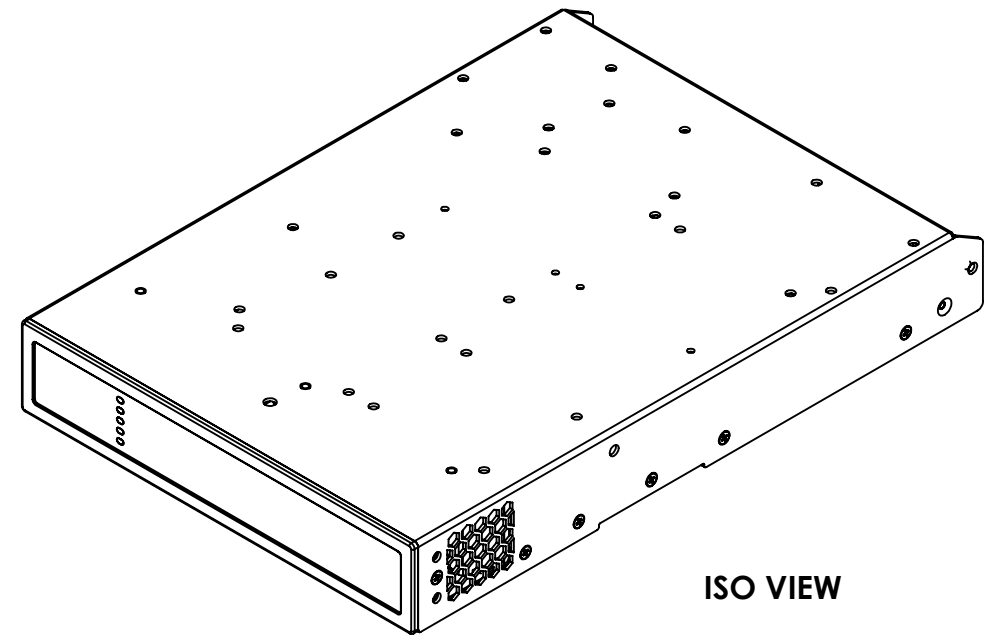
8 7 6 5 4 3 2 1

D

D



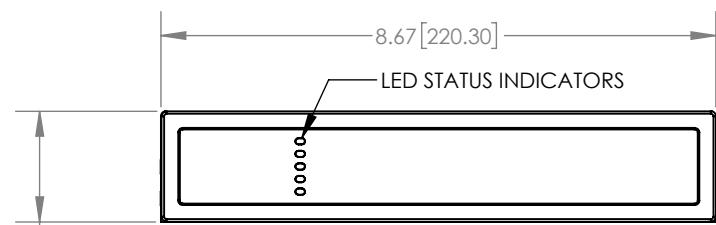
TOP VIEW



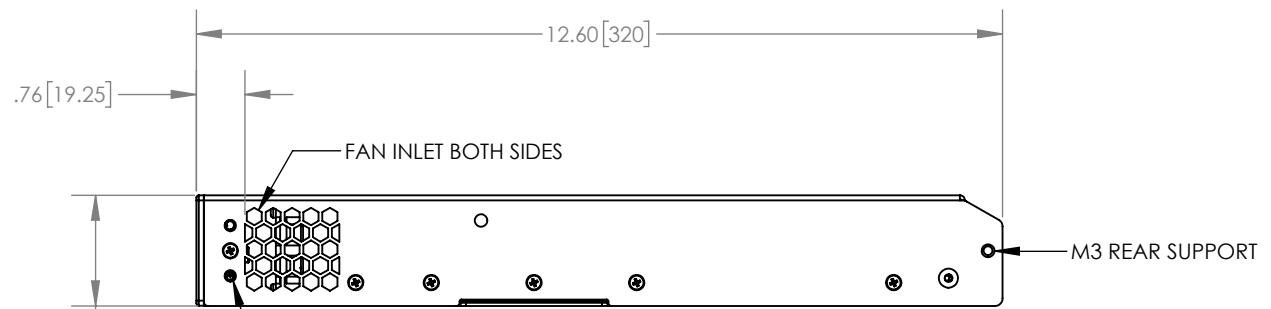
ISO VIEW

C

C



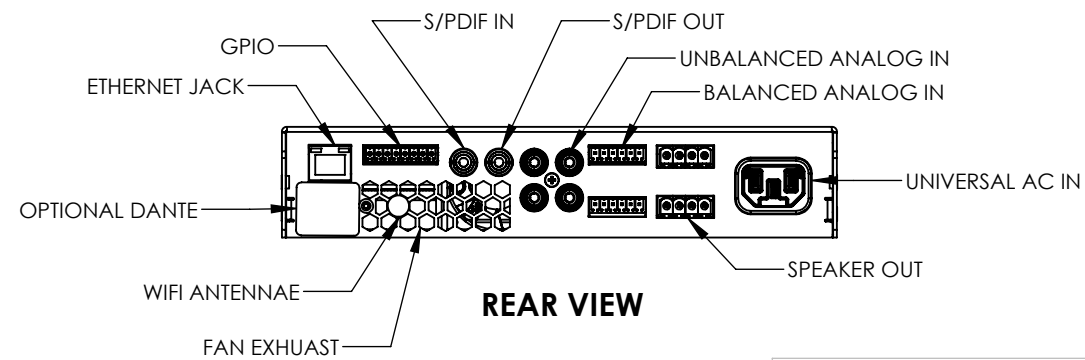
FRONT VIEW



SIDE VIEW

B

B



REAR VIEW

A

A

PROPRIETARY AND CONFIDENTIAL
 THE INFORMATION CONTAINED IN THIS DRAWING IS THE SOLE PROPERTY OF THEORY AUDIO DESIGN, LLC. ANY REPRODUCTION IN PART OR AS A WHOLE WITHOUT THE WRITTEN PERMISSION OF THEORY AUDIO DESIGN, LLC IS PROHIBITED. THE HOLDER OF THIS DOCUMENT SHALL KEEP ALL INFORMATION CONTAINED HEREIN CONFIDENTIAL AND SHALL PROTECT THE SAME IN WHOLE OR IN PART FROM DISCLOSURE AND DISSEMINATION TO ALL THIRD PARTIES.

		UNLESS OTHERWISE SPECIFIED:		NAME		DATE			
		DIMENSIONS ARE IN INCHES TOLERANCES:		DRAWN					
		0.0-5.0" ±0.010		CHECKED					
		5.01-10.0" ±0.015		ENG APPR.					
		>10.01" ±0.020		MFG APPR.					
		INTERPRET GEOMETRIC TOLERANCING PER:		Q.A.					
		MATERIAL		THEORY AUDIO DESIGN, LLC				SIZE PART NO. REV	
NEXT ASSY		USED ON		25741 Atlantic Ocean Dr. Lake Forest, CA 92630		B TF1020		A	
APPLICATION		DO NOT SCALE DRAWING		www.theoryaudiodesign.com		SCALE: 1:3 WEIGHT:		SHEET 1 OF 1	

8 7 6 5 4 3 2 1