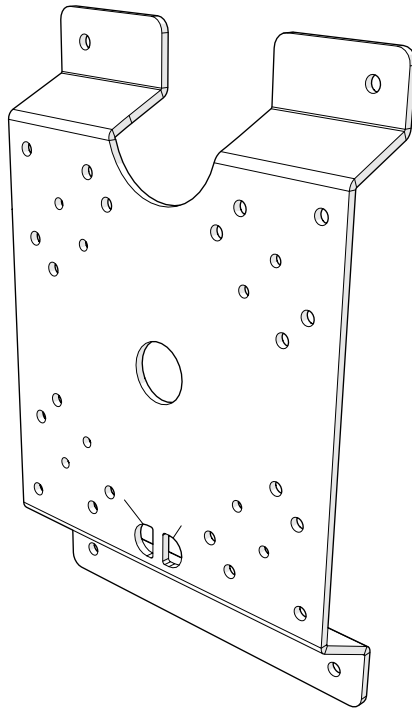


# SB25 UNIVERSAL MOUNT ADAPTER



## QUICK START INSTALLATION GUIDE

Rev A 210302

**THEORY**  
THEORY AUDIO DESIGN

## LIMITED WARRANTY

Disclaimer : THEORY AUDIO DESIGN, LLC is not liable for any damage to loudspeakers or any other equipment that is caused by negligence or improper use or installation of this product, including damage caused by connecting THEORY loudspeakers and subwoofers to third party amplifiers.

### **THEORY AUDIO DESIGN, LLC 5-Year Limited Loudspeaker, Subwoofer and Loudspeaker Accessory Warranty**

THEORY AUDIO DESIGN, LLC guarantees its loudspeakers, subwoofers and loudspeaker accessory products to be free from defective materials and/or workmanship for a period of five (5) years from the date of sale, and will replace defective parts and/or repair malfunctioning products under this warranty when the defect occurs under normal installation and use - provided that the unit is returned to our factory or one of our authorized service centers via prepaid transportation with a copy of proof of purchase (sales receipt). This warranty provides that the examination of the return must indicate, in our judgment, a manufacturing defect. This warranty does not extend to any product which has been subject to misuse, neglect, accident, improper installation or where the date code has been removed or defaced. THEORY shall not be liable for incidental and/or consequential damages. The warranty gives you specific legal rights. This limited warranty is not transferable. Customer may have rights which vary from state to state.

In the event that this product was manufactured for export and sale outside of the United States or its territories, then this limited warranty does not apply. Removal of the serial number on this product, or purchase of this product from an unauthorized dealer will void this limited warranty.

### **EXCLUSIONS**

To the extent permitted by law, the warranty set forth above is in lieu of, and exclusive of, all other warranties, express or implied, and is the sole and exclusive warranty provided by THEORY AUDIO DESIGN, LLC. All other express and implied warranties, including the implied warranties of merchantability, implied warranty of fitness for use, and implied warranty of fitness for a particular purpose are specifically excluded.

THEORY AUDIO DESIGN, LLC shall not be liable for consequential, incidental, economic, property, bodily injury, or personal injury damages arising from the product, any breach of this warranty or otherwise.

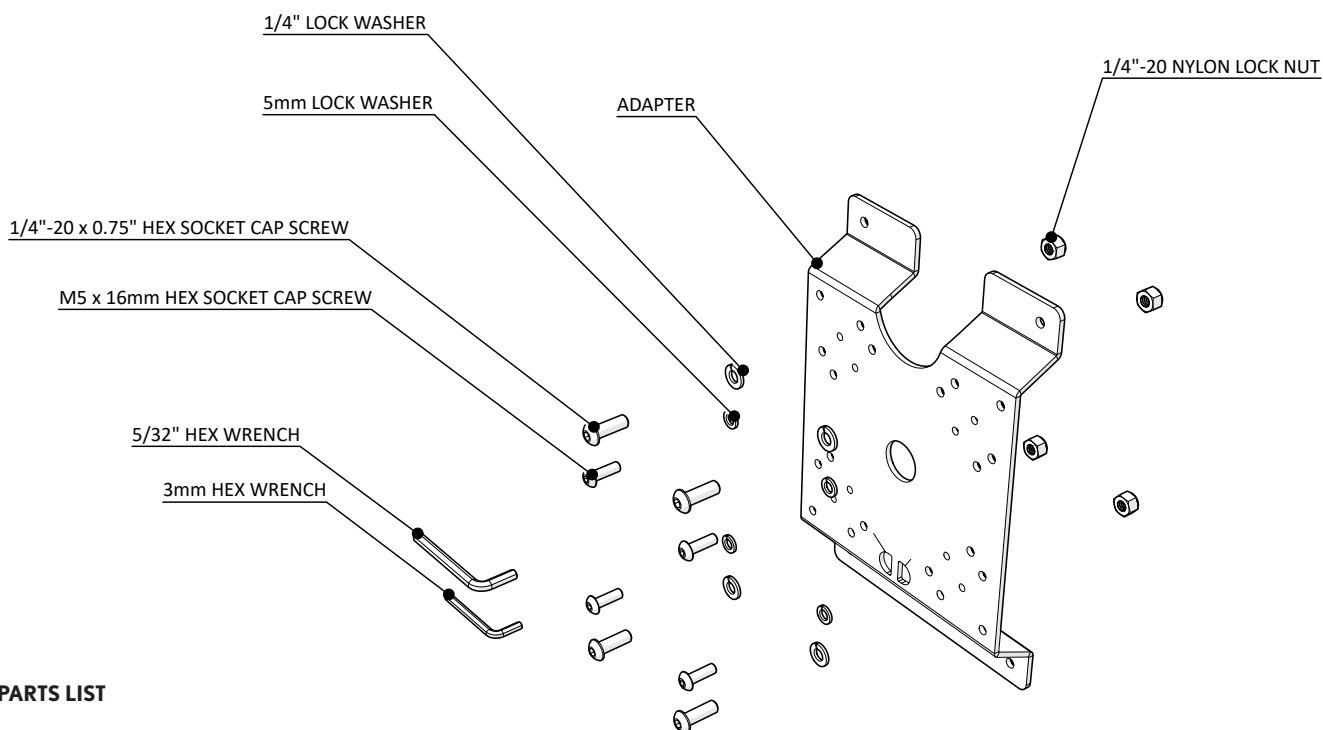
This warranty statement gives you specific legal rights, and you may have other rights which vary from state to state. Some states do not allow the exclusion of implied warranties or limitations of remedies, so the above exclusions and limitations may not apply. If your state does not allow disclaimer of implied warranties, the duration of such implied warranties is limited to period of THEORY'S express warranty

Periodically this warranty is updated. To obtain the most recent version of THEORY'S warranty statement, please call +1-949-245-0505.

## IMPORTANT SAFETY INSTRUCTIONS

1. Read all instructions.
2. Keep these instructions.
3. Heed all warnings.
4. Follow all instructions.
5. Clean only with a dry cloth.
6. Attach third-party mounts in accordance with manufacturer's instructions.
7. Use only third-party mounts rated for 25lbs. or more.
8. Use thread-locking compound on all screw threads
9. Use thread-locking compound on watertight conduit (if used).
10. Use safety tether on all installations.
11. Use lock washers on all hardware.
12. Do not install near any heat sources such as radiators, heat registers, stoves or other apparatus that produce heat.
13. Use only attachments/accessories compatible with products from THEORY AUDIO DESIGN, LLC.
14. Use only with hardware, brackets, stands, and components sold with the apparatus or supplied by THEORY AUDIO DESIGN, LLC.
15. Refer all servicing to qualified service personnel. Servicing is required when the apparatus is damaged in any way.

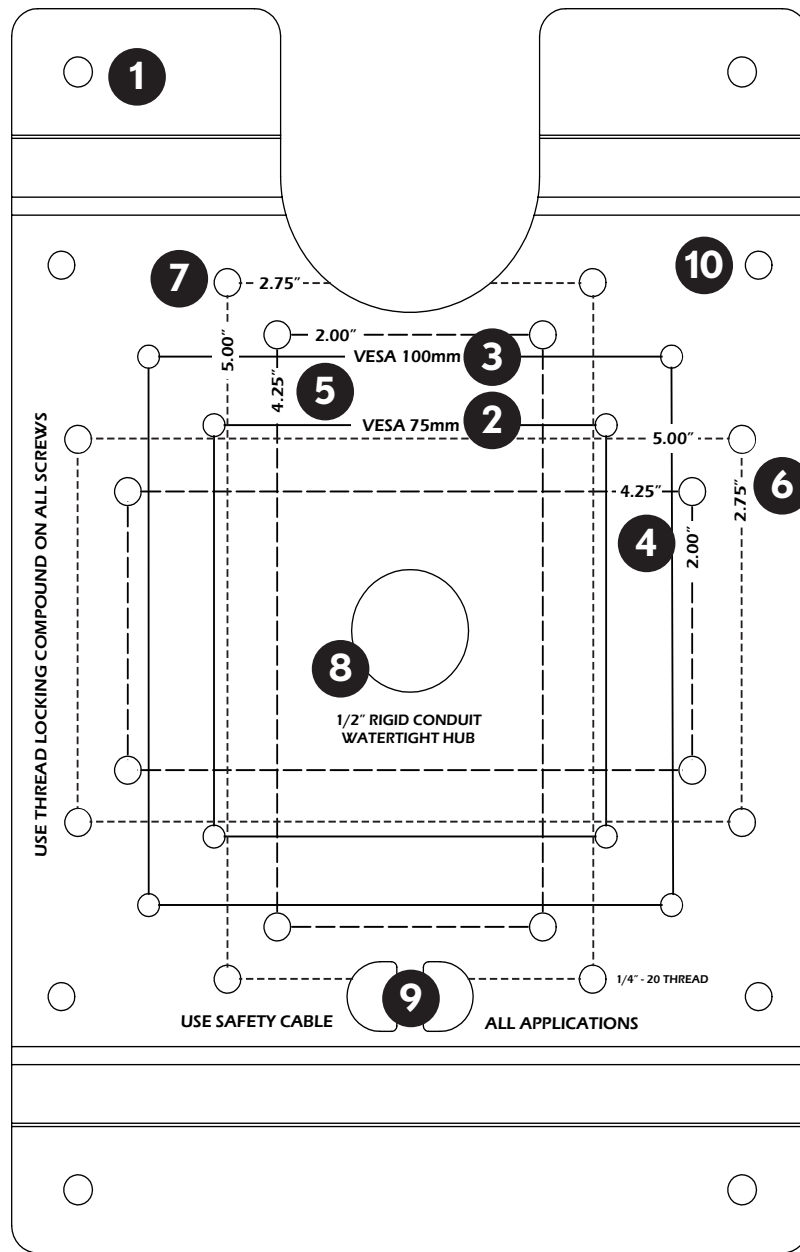
## PARTS LEGEND



### PARTS LIST

1. sb25 MOUNT ADAPTER - QTY.1
2. 1/4" LOCK WASHERS - QTY. 4
3. 5mm LOCK WASHERS - QTY. 4
4. 1/4"-20 x 0.75 HEX SOCKET CAP SCREW - QTY. 4
5. M5 x 16mm HEX SOCKET CAP SCREW - QTY. 4
6. 5/32" HEX WRENCH - QTY.1
7. 3mm HEX WRENCH - QTY.1
8. 1/4"-20 NYLON LOCK NUT - QTY. 4

**FEATURES**



**FEATURES**

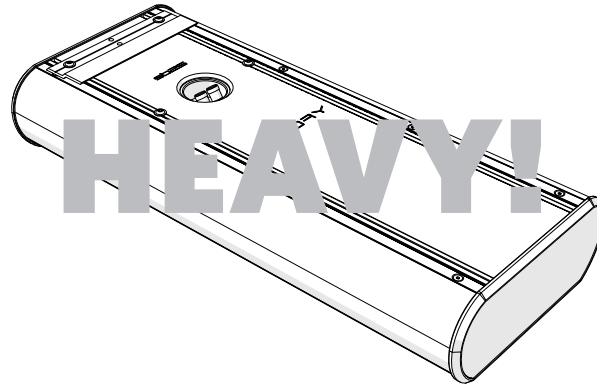
1. sb T-SLOT Mount Holes (4)
2. VESA 75mm M5 Threaded Mount Holes (4)
3. VESA 100mm M5 Threaded Mount Holes (4)
4. 2.00" x 4.25" 1/4"-20 Threaded Mount Holes - Horizontal Pattern (4)
5. 2.00" x 4.25" 1/4"-20 Threaded Mount Holes - Vertical Pattern (4)
6. 2.75" x 5.00" 1/4"-20 Threaded Mount Holes - Horizontal Pattern (4)
7. 2.75" x 5.00" 1/4"-20 Threaded Mount Holes - Vertical Pattern (4)
8. Mount hole for 1/2" Rigid Conduit Hub (not included) for 1/2" Threaded Conduit Pipe (not included) (1)
9. Safety Tether (not included) Tie Point (1)
10. Auxilliary 1/4"-20 Threaded Mount Holes (4)

## ATTACHING ADAPTER (If mounting to rigid conduit, attach adapter to conduit first, see page 4)

### GET HELP

Your Theory sb25 loudspeaker is compact, but it is heavy for its size. You will need at least one other person to lift and hold the speaker in position during installation.

DO NOT TRY TO LIFT AND MOUNT YOUR THEORY LOUDSPEAKER BY YOURSELF.



### 1 - LAY SB25 FACE DOWN

Find a safe, large, flat location free of protrusions or debris and carefully lay your sb25 loudspeaker face down. Figure 1.

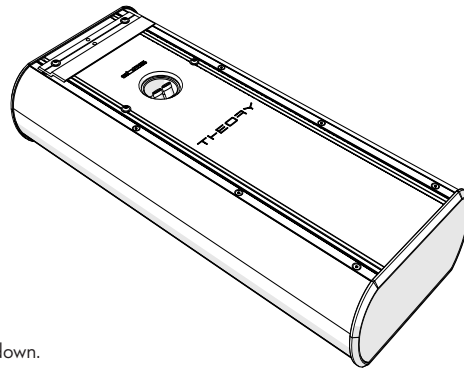


FIGURE 1. Lay sb25 face down.

### 2 - REMOVE Z-CLIP

Using supplied 3mm hex wrench, remove the M5 machine screws holding the Z-clip mounting bracket in place. Remove the Z-Clip and store for future use. Retain the M5 machine screws to mount the UNIVERSAL MOUNT ADAPTER. Figure 2a.

In similar fashion, remove the secondary M5 machine screws installed in T-slots and retain to mount the UNIVERSAL MOUNT ADAPTER. Figure 2b.

This will leave 4 nuts in the T-SLOT tracks. We will use these nuts to attach the UNIVERSAL MOUNT ADAPTER. Do not attempt to remove the nuts.

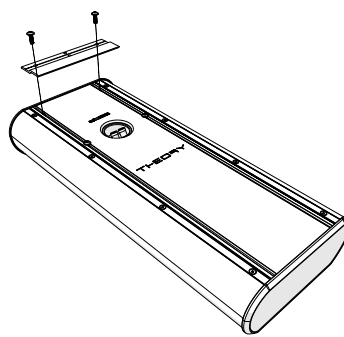


FIGURE 2a. Remove Z-Clip, retain screws.

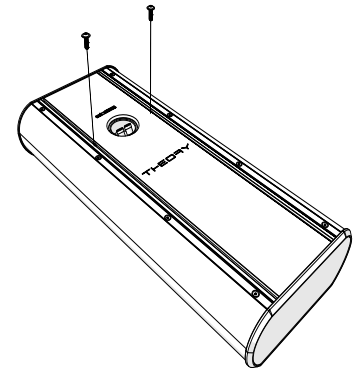


FIGURE 2b. Remove and retain secondary screws.

### 3 - ATTACH ADAPTER - LOOSELY

One at a time, align an M5 screw and adapter mount hole with a nut inside the T-slot making sure that you honor the ADAPTER orientation shown. The nuts can be moved within the T-slot using a small screwdriver or the hex key. Engage the screw into the nut just enough to retain the nut on the screw, but leave as loose as possible as you will need to move the adapter/screw around to align with the other nuts in the T-slots as you go. Figure 3.

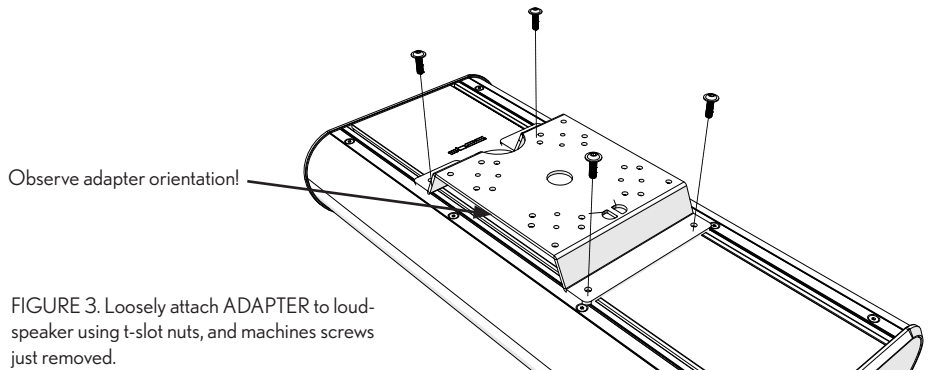


FIGURE 3. Loosely attach ADAPTER to loudspeaker using t-slot nuts, and machines screws just removed.

**ATTACHING ADAPTER (CONT'D)**

**4 - POSITION ADAPTER**

While the machine screws are all still loose, position the adapter so that the round cutout aligns with the loudspeaker input terminal cup. This will position the ADAPTER at the loudspeaker center-of-mass. Figure 4a.

When the adapter is positioned correctly it will appear as shown in Figure 4b.

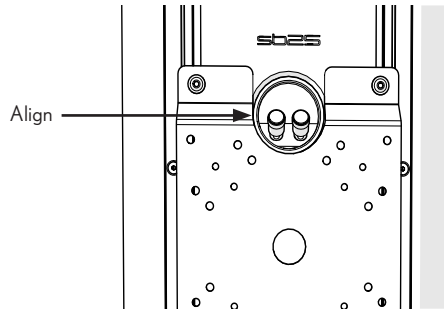


FIGURE 4a. Align rounded cutout with terminal input cup.

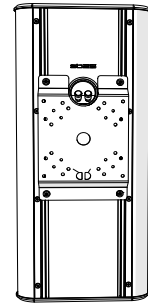


FIGURE 4b. ADAPTER positioned correctly.

**5 - TIGHTEN ALL SCREWS**

Once you're satisfied with the ADAPTER position, use supplied 3mm hex wrench to tighten all 4 machine screws securely. Figure 5.

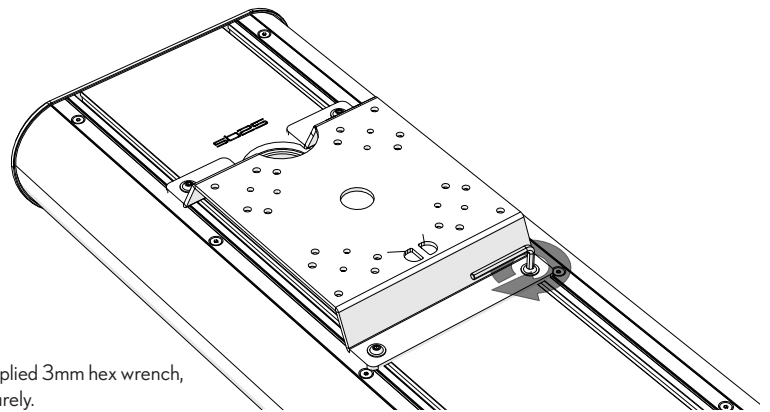


FIGURE 5. Using supplied 3mm hex wrench, tighten all screws securely.

**ATTACHING THIRD PARTY SPEAKER OR VESA MOUNT**

**7 - ATTACH THIRD PARTY MOUNT PLATE**

Make sure you purchase a speaker mount that can support 25lbs with a mount hole pattern of 2.00" x 4.25" or 2.75" x 5.00".

If using a VESA mount (monitor arm or similar) you can use the 75mm or 100mm VESA square hole pattern in the ADAPTER.

Attach the third-party speaker mounting bracket mount plate using the supplied 1/4"-20 or M5 (for VESA mounts) hex socket cap screws and lock washers as shown. Your speaker mounting bracket mount plate may look different. Figure 7a.

For extra security, install the nylon lock nuts, or "jam nuts" onto the screws on the back side of the adapter. Figure 7b.

Once the third party mount plate is attached, attach speaker to speaker mount according to mount manufacturer's instructions.

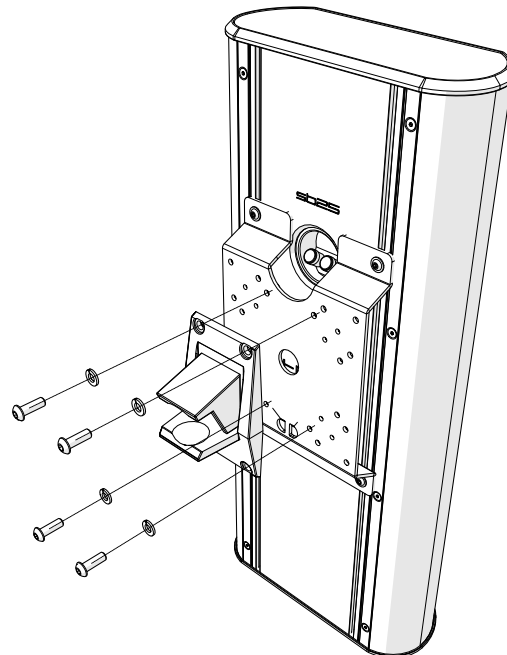


FIGURE 7a. Mount third-party mounting plate using supplied cap screws and lock washers.

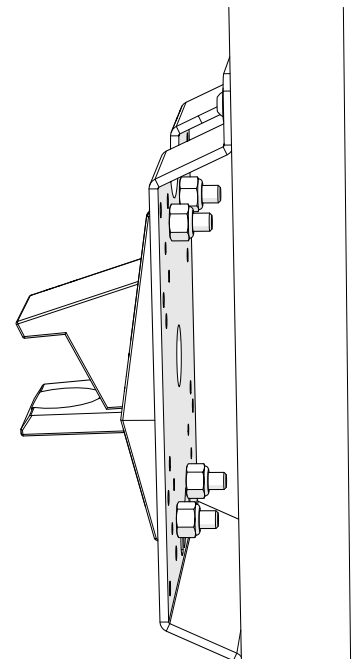


FIGURE 7b. Once cap screws are tight, install jam nuts on the rear side of the adapter.

## POLE (THREADED CONDUIT) MOUNT

### 1 - ATTACH ADAPTER TO CONDUIT FIRST!

To hang the sb25 from threaded conduit, you will need to purchase a 1/2" rigid conduit hub (not included). Figure 8a.

After the conduit has been securely and safely attached to the ceiling or suitable structural member, apply thread locking compound and screw the conduit hub body onto the conduit and tighten securely. Figure 8b.

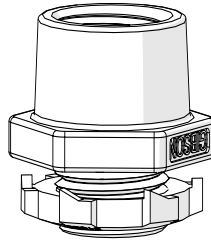


FIGURE 8a. You will need to acquire a thread rigid conduit hub (not included).

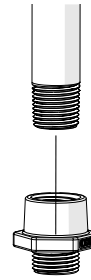


FIGURE 8b. Using thread-locking compound, tightly screw hub body to conduit.

### 2 - ORIENT AND ATTACH ADAPTER TO HUB

Apply thread-locking compound to the hub threads and loosely attach ADAPTER to hub. Figure 9a.

Orient ADAPTER for desired speaker orientation and tighten conduit hub nut securely. Figure 9b.

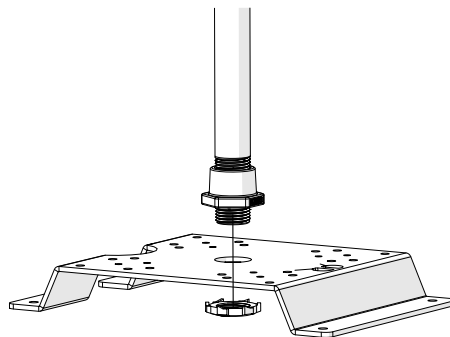


FIGURE 9a. Apply thread-locking compound and loosely attach adapter to conduit hub.

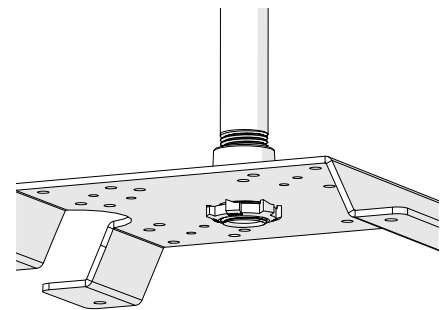


FIGURE 9b. Orient adapter for desired speaker orientation and tighten conduit hub nut securely.

### 3 - ATTACH SPEAKER TO ADAPTER AND INSTALL SAFETY TETHER (NOT INCLUDED)

With two or more people, carefully attach the speaker to the ADAPTER following the steps outlined on pages 3-4. Play particular attention to the position of the adapter on the speaker as outlined in step 4 on page 4 as this will position the speaker center of gravity directly under the conduit pole. Figure 10a.

Obtain a suitable safety tether (not included) and attach it to the ADAPTER at the safety tie point. Figure 10b.

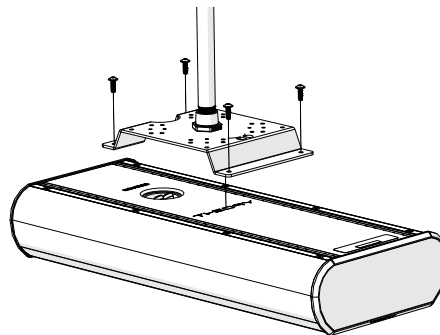


FIGURE 10a. With two or more people, carefully attach speaker to adapter following the steps on pages 3-4.

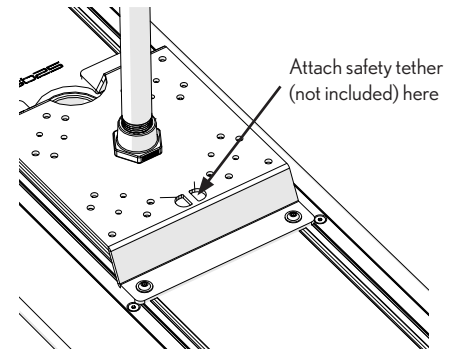


FIGURE 10b. Connect a suitable safety tether (not included) to the safety tie point on the adapter.

© 2021 THEORY AUDIO DESIGN, LLC. All rights reserved.

Theory Audio Design routinely engages in programs to improve, modify and revise its products without notice or obligation. As such, your product may differ slightly from what is shown in this guide.

#### THEORY AUDIO DESIGN, LLC

25741 Atlantic Ocean Drive, Suite B  
Lake Forest, CA 92630

Tel: 949-245-0505  
www.theoryaudiodesign.com