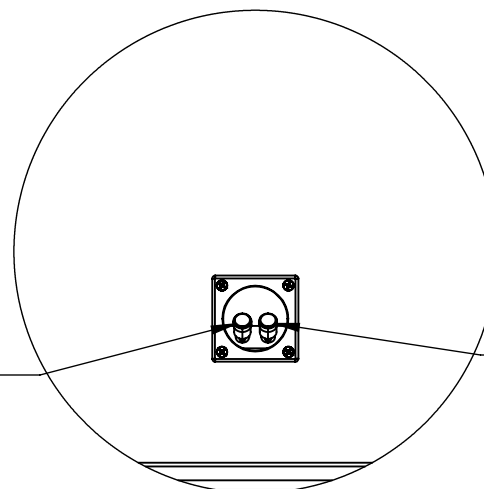


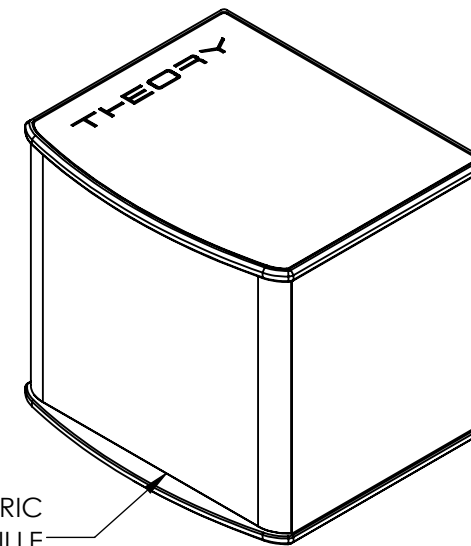
**TOP VIEW**



NEGATIVE INPUT TERMINAL  
(BLACK)

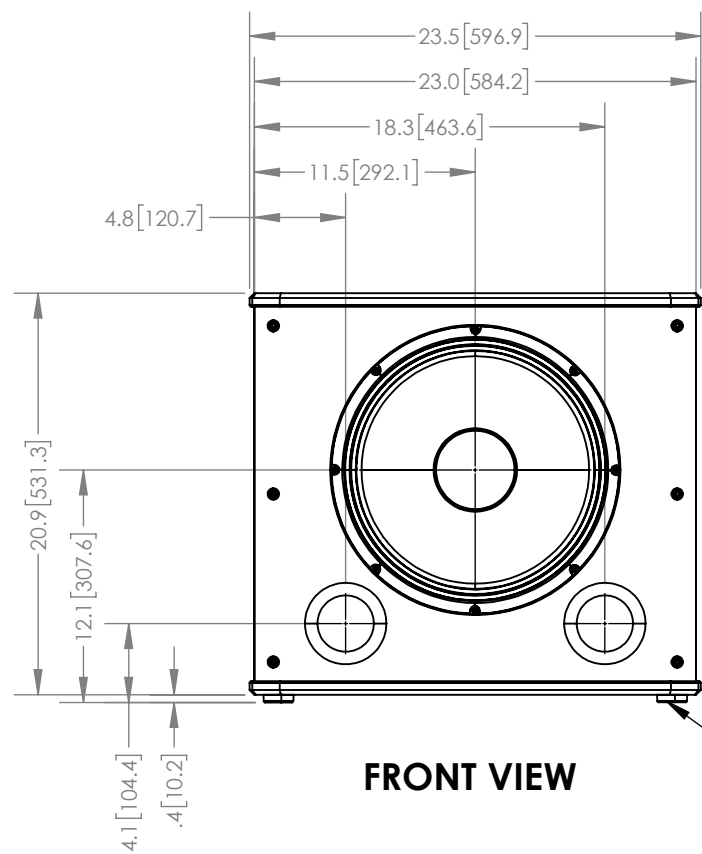
POSITIVE INPUT TERMINAL  
(RED)

**DETAIL A  
SCALE 1 : 5**



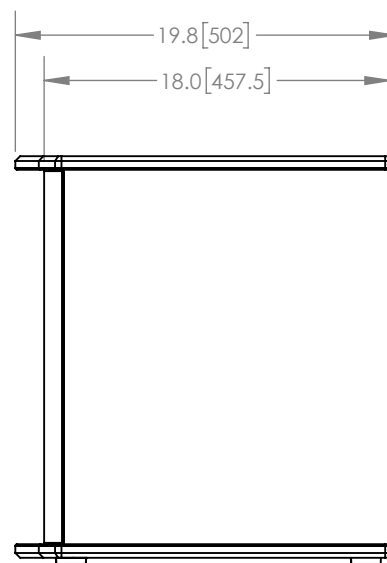
REMOVABLE FABRIC  
GRILLE

**ISO VIEW**

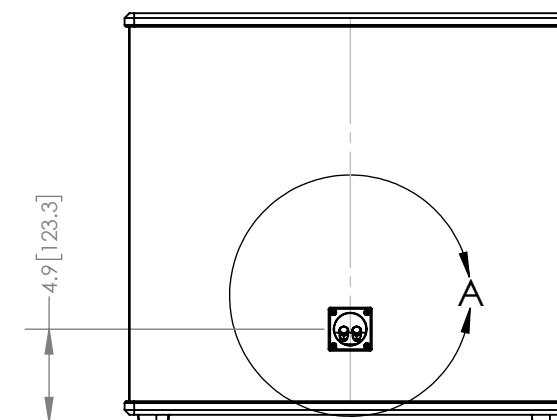


**FRONT VIEW**

ANTI-SKID RUBBER  
FEET




**SIDE VIEW**



**BACK VIEW**

**PROPRIETARY AND CONFIDENTIAL**  
THE INFORMATION CONTAINED IN THIS DRAWING IS THE SOLE PROPERTY OF THEORY AUDIO DESIGN, LLC. ANY REPRODUCTION IN PART OR AS A WHOLE WITHOUT THE WRITTEN PERMISSION OF THEORY AUDIO DESIGN, LLC IS PROHIBITED. THE HOLDER OF THIS DOCUMENT SHALL KEEP ALL INFORMATION CONTAINED HEREIN CONFIDENTIAL AND SHALL PROTECT THE SAME IN WHOLE OR IN PART FROM DISCLOSURE AND DISSEMINATION TO ALL THIRD PARTIES.

|             |         |   |  |   |      |  |  |
|-------------|---------|---|--|---|------|--|--|
|             |         | UNLESS OTHERWISE SPECIFIED:             |  | NAME  | DATE | <br><b>TITLE:</b><br>THEORY sub15 |  |
|             |         | DIMENSIONS ARE IN INCHES<br>TOLERANCES: |  | DRAWN   |      |  |  |
|             |         | 0.0-5.0" ±0.010                         |  | CHECKED   |      | <b>SIZE</b> PART NO. REV<br><b>B</b> TF0031 <b>A</b>   |  |
|             |         | 5.01-10.0" ±0.015                       |  | ENG APPR.   |      |  |  |
|             |         | >10.01" ±0.020                          |  | MFG APPR.   |      | SCALE: 1:10 WEIGHT: SHEET 1 OF 1   |  |
|             |         | INTERPRET GEOMETRIC<br>TOLERANCING PER: |  | Q.A.  |      |  |  |
|             |         | MATERIAL                                |  | <b>THEORY AUDIO DESIGN, LLC</b><br>25741 Atlantic Ocean Dr.<br>Lake Forest, CA 92630<br>www.theoryaudiodesign.com |      |  |  |
| NEXT ASSY   | USED ON | FINISH                                  |  |   |      |  |  |
| APPLICATION |         | DO NOT SCALE DRAWING                    |  |   |      |  |  |