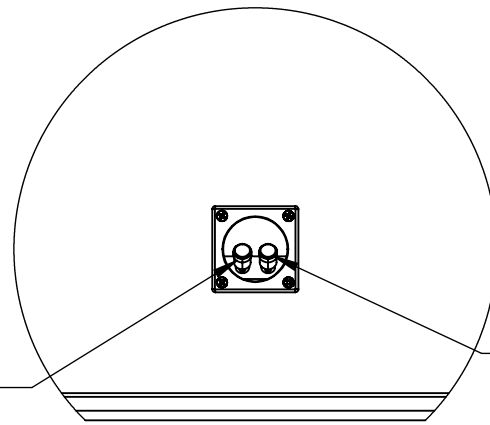


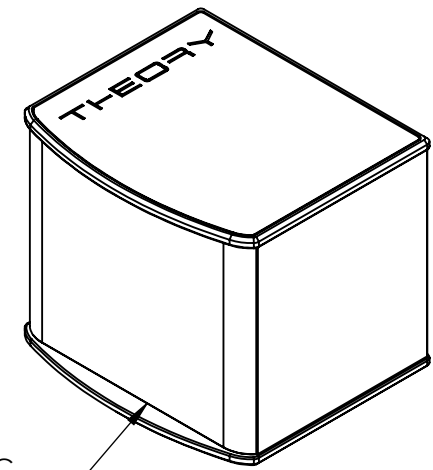
TOP VIEW



NEGATIVE INPUT TERMINAL
(BLACK)

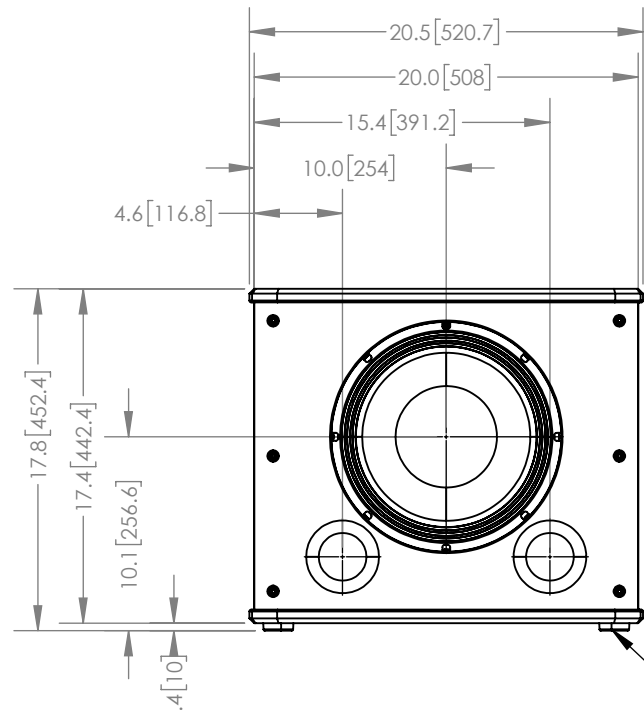
POSITIVE INPUT TERMINAL
(RED)

**DETAIL A
SCALE 1 : 5**



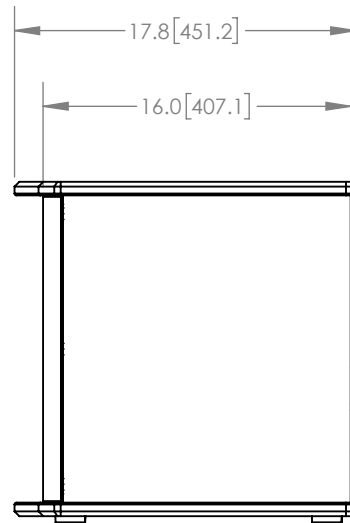
REMOVABLE FABRIC
GRILLE

ISO VIEW

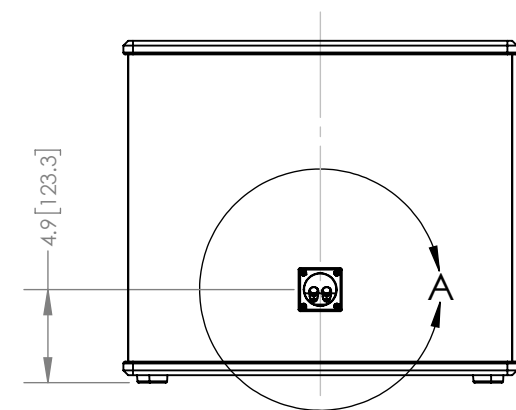


FRONT VIEW

ANTI-SKID RUBBER
FEET




SIDE VIEW



BACK VIEW

PROPRIETARY AND CONFIDENTIAL
THE INFORMATION CONTAINED IN THIS DRAWING IS THE SOLE PROPERTY OF THEORY AUDIO DESIGN, LLC. ANY REPRODUCTION IN PART OR AS A WHOLE WITHOUT THE WRITTEN PERMISSION OF THEORY AUDIO DESIGN, LLC IS PROHIBITED. THE HOLDER OF THIS DOCUMENT SHALL KEEP ALL INFORMATION CONTAINED HEREIN CONFIDENTIAL AND SHALL PROTECT THE SAME IN WHOLE OR IN PART FROM DISCLOSURE AND DISSEMINATION TO ALL THIRD PARTIES.

		UNLESS OTHERWISE SPECIFIED:		NAME	DATE	 TITLE: THEORY sub12	
		DIMENSIONS ARE IN INCHES TOLERANCES:		DRAWN			
		0.0-5.0" ±0.010		CHECKED		SIZE PART NO. REV B TF0030 A	
		5.01-10.0" ±0.015		ENG APPR.			
		>10.01" ±0.020		MFG APPR.		SCALE: 1:10 WEIGHT: SHEET 1 OF 2	
		INTERPRET GEOMETRIC TOLERANCING PER:		Q.A.			
		MATERIAL		THEORY AUDIO DESIGN, LLC 25741 Atlantic Ocean Dr. Lake Forest, CA 92630 www.theoryaudiodesign.com			
NEXT ASSY	USED ON	FINISH					
APPLICATION		DO NOT SCALE DRAWING					